

STIEBEL ELTRON

SNU Plus

A compact, energy saving
centralised ventilation
unit perfect for domestic
and commercial spaces



SNU Plus

OPEN VENTED COMPACT STORAGE WATER HEATER

A compact, easy-to-install water heater perfect for kitchens with frequent, small-scale hot water needs. Its anti-drip feature ensures a limescale-free experience on taps and sinks, combining efficiency and convenience in one sleek package.

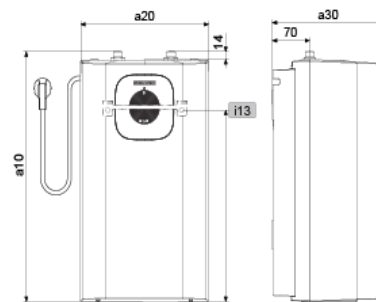
Product features

- › Designed for single isolated sink
- › Energy and water savings
- › Low minimum standby power consumption
- › To be fitted with specialised open vented tapware
- › Made in Germany



The SNU Plus under sink point of use water heater is open vented and must be installed with a STIEBEL ELTRON open vented tap. Not suitable for installation at a basin as a tempering valve or TMV cannot be fitted with this water heater.

Dimensions



Model	SNU 5 Plus	SNU 10 Plus
Article number	204977	204982
Tank capacity	5 Litres	10 Litres
Rated output (240 V)	2.2	2.2
Rated current (240 V)	9.1	9.1
Connection	1/N/PE	1/N/PE
Fuse protection	10	10
Electrical installation	As per AS/NZS3000	As per AS/NZS3000
Installation requirements	AS/NZS3500.4.2 & local requirements	AS/NZS3500.4.2 & local requirements
Temperature settings	30-85	30-85
Mixed water volume at 40 °C	10	19
Water connection	G 3/8 A	G 3/8 A
Max. appliance permissible pressure	0	0
Max. tapware permissible pressure	500	500
Standby energy consumption / 24 h at 65 °C	0.19 kWh	0.31 kWh
IP rating	IP24 D	IP24 D
Height Width Depth	423 240 212 mm	506 290 282 mm
Colour	White	White
Display and operation	Rotary selector	Rotary selector
Number of outlets	Single	Single
Tank Material	Plastic	Plastic

STIEBEL ELTRON is committed to our policy of continual improvement, some features may have subsequently been changed or even removed. Our advisors will be happy to consult with you regarding the currently applicable equipment features. The images used in this data sheet are for reference only.